

# QUADRO SERIES

## QUADRO | AP-BSW



**SEGASiT** ©

The leading Turkish brand of quality Auditorium, Theatre and Cinema Seating



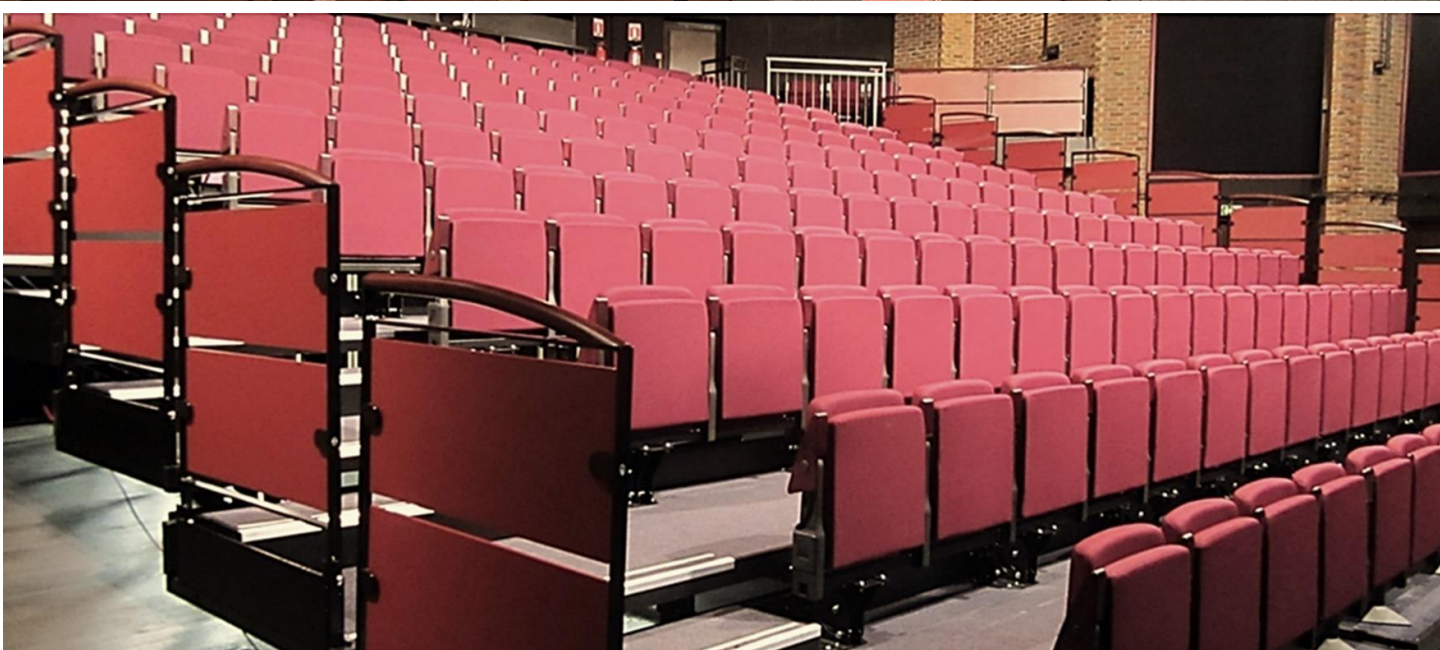
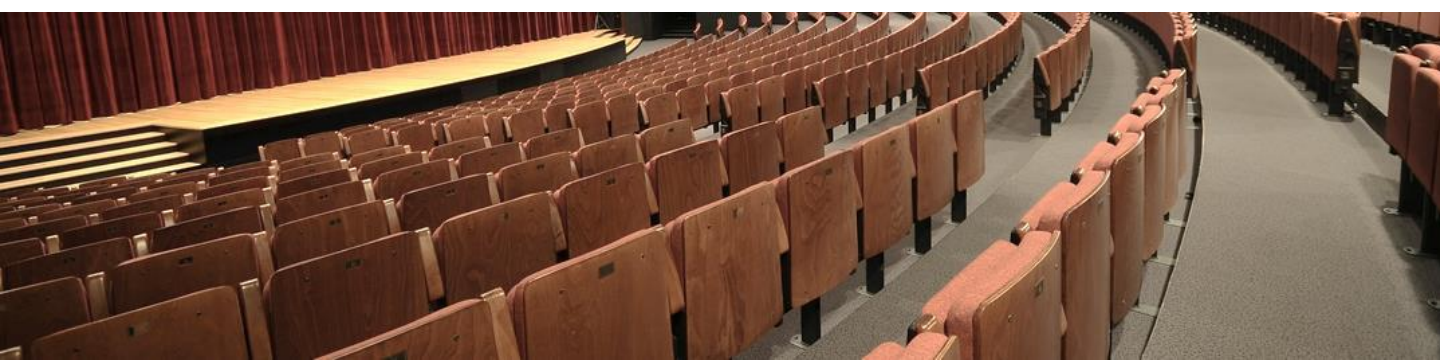
*The Quadro chair combines versatility with exceptional finishing details to provide an extremely comfortable and stylish seating solution. Available for use on fixed and retractable tiers and flat floor solutions.*

*QUADRO | AP-BSW has an extensive range of optional features to provide a chair perfectly suited to specific customer requirements. It is enriched with lateral/central legs, fabric or leather upholstery, backrest and seat unit wooden cover.*

*Its compact structure allows for ease of access and egress and the extensive backrest options ensure the maximum comfort and function.*











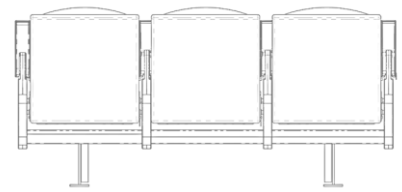
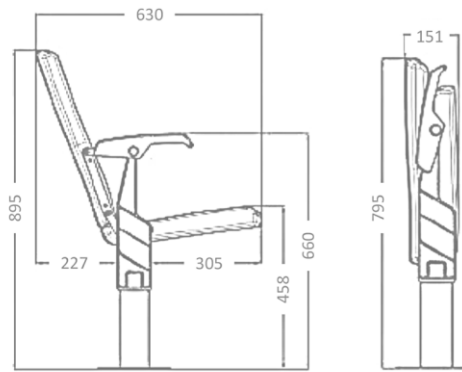
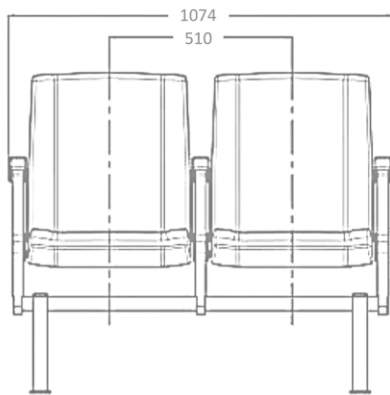
*QUADRO series are manufactured in accordance with the needs of conference and theater halls and in ergonomic designs targeting comfort that fits the audience perfectly.*

*The Quadro seat and back are synchronized with the movement of the arm. The seat opens when the arm is pushed down. Thanks to its folding system, the whole chair takes just 151 mm when totally closed.*

*The combination of design and comfort makes the series the ideal choice to equip Auditorium and Theater Halls, Conference and Convention Centers, Performing Arts Centers, Corporate and Public Building Halls, Education and School Halls.*



## DIMENSIONS (mm)



## CHARACTERISTIC FEATURES

### QUADRO | AP-BSW

- (AP) The lateral feet are aluminum casting, finished with PP plastic armrest unit.
- (BSW) Both backrest and seat padding are incorporated with varnished beech plywood backboard.

### Dimensions

- Centre-to-Centre dimension is 51 cm.
- The nominal space for user is 46 cm.

### Seat and Backrest units

- All paddings are produced with cold moulded CMHR polyurethane foam technology,
- Both backrest and seat padding has a carefully crafted ergonomic design, density 50-60 kg/m<sup>3</sup>.
- The seat padding is a single block of molded polyurethane foam that incorporates an internal metal frame structure.
- The backrest padding is a single block of molded polyurethane foam that incorporates an internal metal frame structure which, due to its shape and composition, offers great back and lumbar support.
- Upholstered with padded cover, removable by means of a zipper.
- The fully upholstered backrest and seat padding are incorporated with a 12 mm thick varnished beech plywood backboard.
- The seat and back are synchronized with the movement of the arm. The seat opens when the arm is pushed down. Totally silent and maintenance-free.
- Thanks to its folding system, the whole chair takes just 151 mm when totally closed.

### Armrests

- Fixed and shared armrest with a curved design
- The lateral armrests are made of aluminum casting structure finished with PP plastic armrest unit

### Structure

- The metal mainframes are designed and produced to provide durability and long life.
- The fully upholstered backrest and seat paddings, which are joined to a metal plate structure, are fixed to the aluminum casting lateral armrest with a bolt insertion system that provided strong durability.
- The lateral aluminum casting armrests are mounted on a steel metal bridge construction made of a 60\*40\*1,5 mm thick steel profile which is raised with the central/lateral legs made of 60\*40\*1,5 mm thick steel profile.
- The legs are joined to a 6 mm thick steel base and fixed to the floor using metric screws or other suitable types of anchorage for each type of surface.
- The system is very resistant and ensures the perfect alignment of the backrests when forming a row.
- The metal parts are painted electrostatic powder paint. Coat thickness 80 microns ± 10.

### Options

- Seat, row numbering and logo embroidery.
- Variety of foam density.
- Variety of fabrics with abrasion, fading and non-flammability characteristics.
- Variety of high-quality faux and genuine leather.

### CERTIFIED PRODUCTION

In our production plant we have implemented the quality management system ISO 9001:2015, the environmental management systems ISO 14001:2015, the safety management system OHSAS 18001:2007 are standard.

**SEGASit** ©

[www.segasis.com](http://www.segasis.com)