



CELO SERIES

CELO-WT | W-BSW

SEGASIT ©

The leading Turkish brand of quality Auditorium, Theatre and Cinema Seating



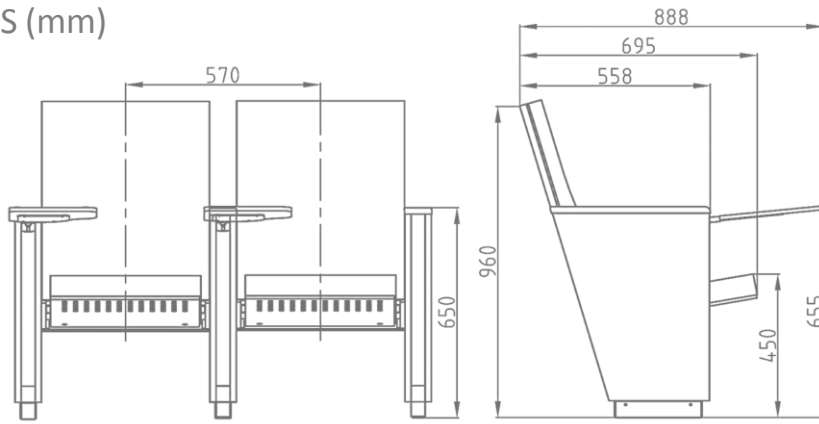
CELO series is stand out for comfort and own personality with its stylish, elegant and functional design.

CELO-WT | W-BSW series are in line with the needs of the investor and the audience; It is enriched with wooden lateral legs, equipped by an anti-panic writing tablet, fabric or leather upholstery, backrest and seat unit wooden cover.

The combination of design and comfort makes the series the ideal choice to equip Auditorium and Theater Halls, Conference and Convention Centers, Performing Arts Centers, Corporate and Public Building Halls, Education and School Halls.



DIMENSIONS (mm)



CHARACTERISTIC FEATURES

CELO-WT | W-BSW

- (WT) Equipped with an anti-panic varnished beech plywood writing tablet.
- (W) The lateral feet are varnished wooden veneer boxes.
- (BSW) Both backrest and seat padding are supported by a varnished beech plywood backboard.

Dimensions

- Centre-to-Centre dimension is 57 cm.
- The nominal space for user is 49 cm.

Seat and Backrest units

- All paddings are produced with cold moulded CMHR polyurethane foam technology,
- Both backrest and seat padding has a carefully crafted ergonomic design, density 50-60 kg/m³.
- The seat padding is single block of moulded polyurethane foam that incorporates internal metal frame structure, plus supported with an internal flat springs structure to provide sitting comfort long time.
- The fully upholstered seat padding is corporated with 12 mm thick varnished beech plywood backboard perforated to improve the acoustical absorption.
- The backrest is made of beech plywood, incorporating a fully upholstered, open-cell polyurethane foam cushions which, due to their shape and composition, offers great back and lumbar support.
- Upholstered with padded cover, removable by means of a zipper.
- Tip-up seat folds automatically with inside weight balance system. Totally silent and maintenance free.

Optional

- **Controlled Slow Rising System** by means silent, controlled slow movement with no bumps.
- The seat folds up automatically with controlled slow movement by a pneumatic piston mechanism located at the side panel. Totally silent and maintenance free.

Armrests

- Fixed and shared armrest box in ergonomic design, equipped by an anti-panic varnished beech plywood writing tablet with mechanism provided strong durability.
- Optional, finish with fully upholstered solid wooden armrest unit.

Structure

- The lateral feet are made of 12 mm thick varnished beech wooden veneer MDF boxes designed and produced to provide durability and long life.
- The lateral legs are joined to a steel base and fixed to the floor using metric screws or other suitable type of anchorage for each type of surface .
- The lateral side panels are supported by a central steel metal bridge construction designed and produced to provide durability and long life.
- The 20 mm thick varnished beech plywood backboard is mounted on the central metal bridge with an Allen bolt system.
- The fully upholstered backrest padding supported with 8 mm thick inner beech plywood is mounted on the backboard by a concealed insertion system.
- The metal parts are painted electrostatic powder paint. Coat thickness 80 micron \pm 10.

Options

- Seat, row numbering and logo embroidery.
- Variety of foam density.
- Variety of fabric with abrasion, fading and non-flammability characteristics.
- Variety of high quality faux and genuine leather.

CERTIFIED PRODUCTION

In our production plant we have implemented the quality management system ISO 9001:2015, the environmental management systems ISO 14001:2015, the safety management system OHSAS 18001:2007 are standard.