

Cinema

Seating Collection

SEGASIT ©

The leading Turkish brand of quality Auditorium, Theatre and Cinema Seating



DORE SERIES

DORE is the most important version in the collection, where the elegance of the backrest and the soft line of the seat combine all the features of functionality and ergonomics, expressing them at their best.



Armrest Option Features

The seat can be equipped with versions of armrest below;

DORE-PP4: Chair arms made of PP plastic are supported on metal structure, compact in form and consist of a single piece with an integrated cup holder.

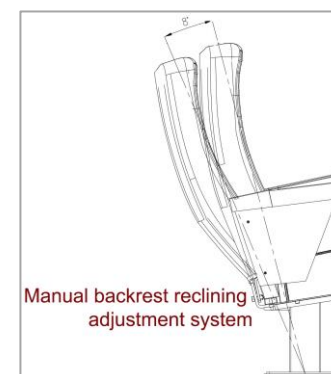


DORE-PP5: Chair arms made of PP plastic are supported on metal structure, compact in form and consist of a single piece with an integrated cup holder and finished with a fully upholstered armrest foam.



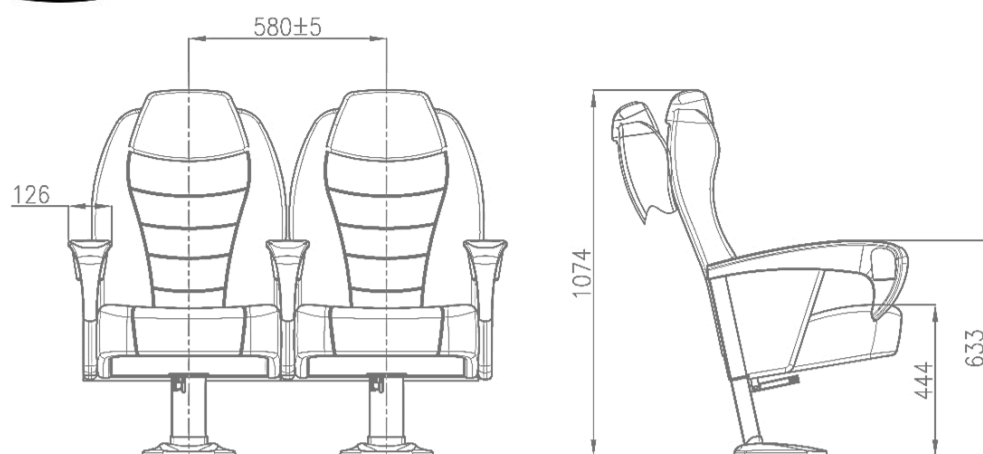
Manual backrest reclining adjustment system (Standard)

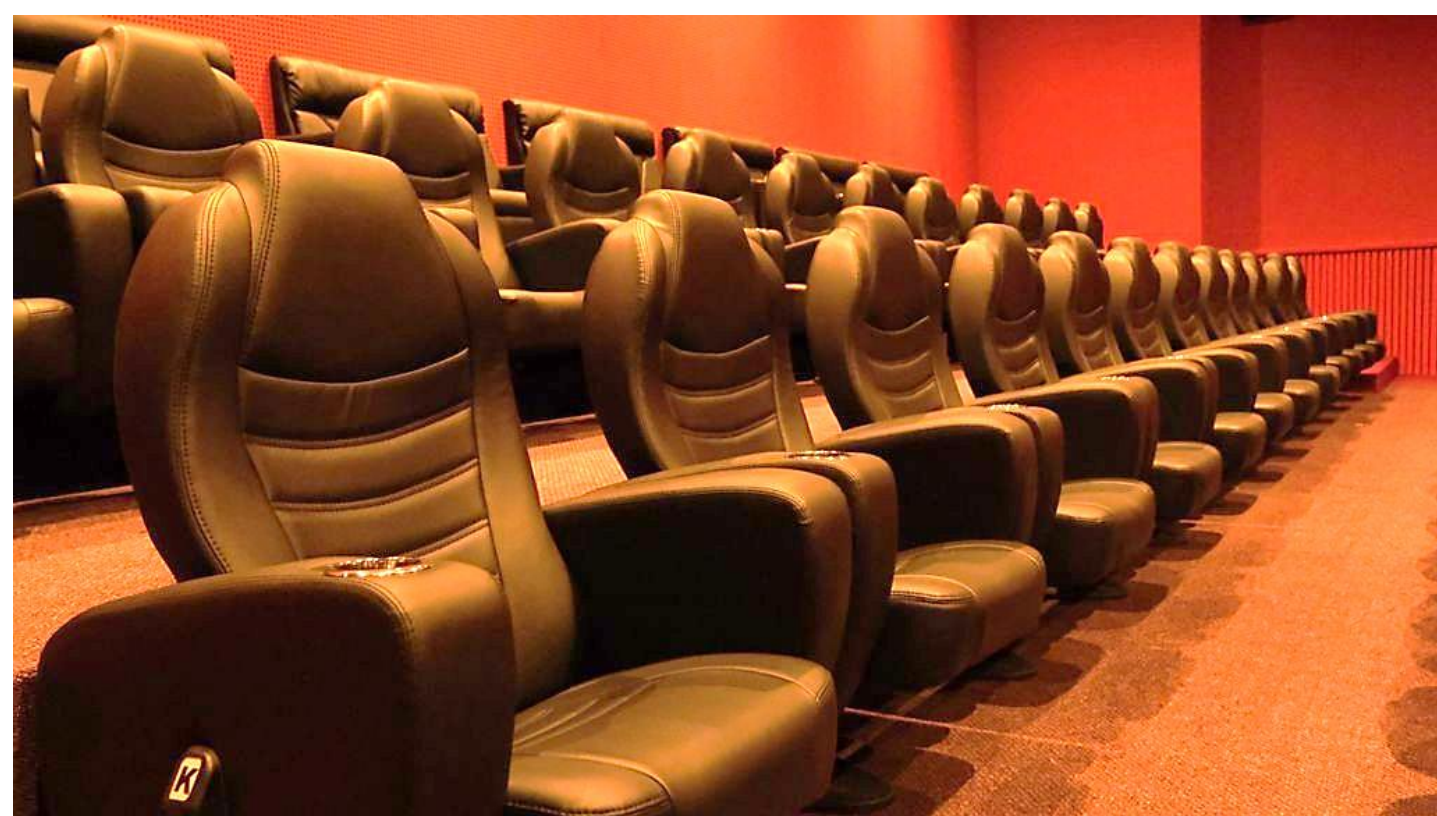
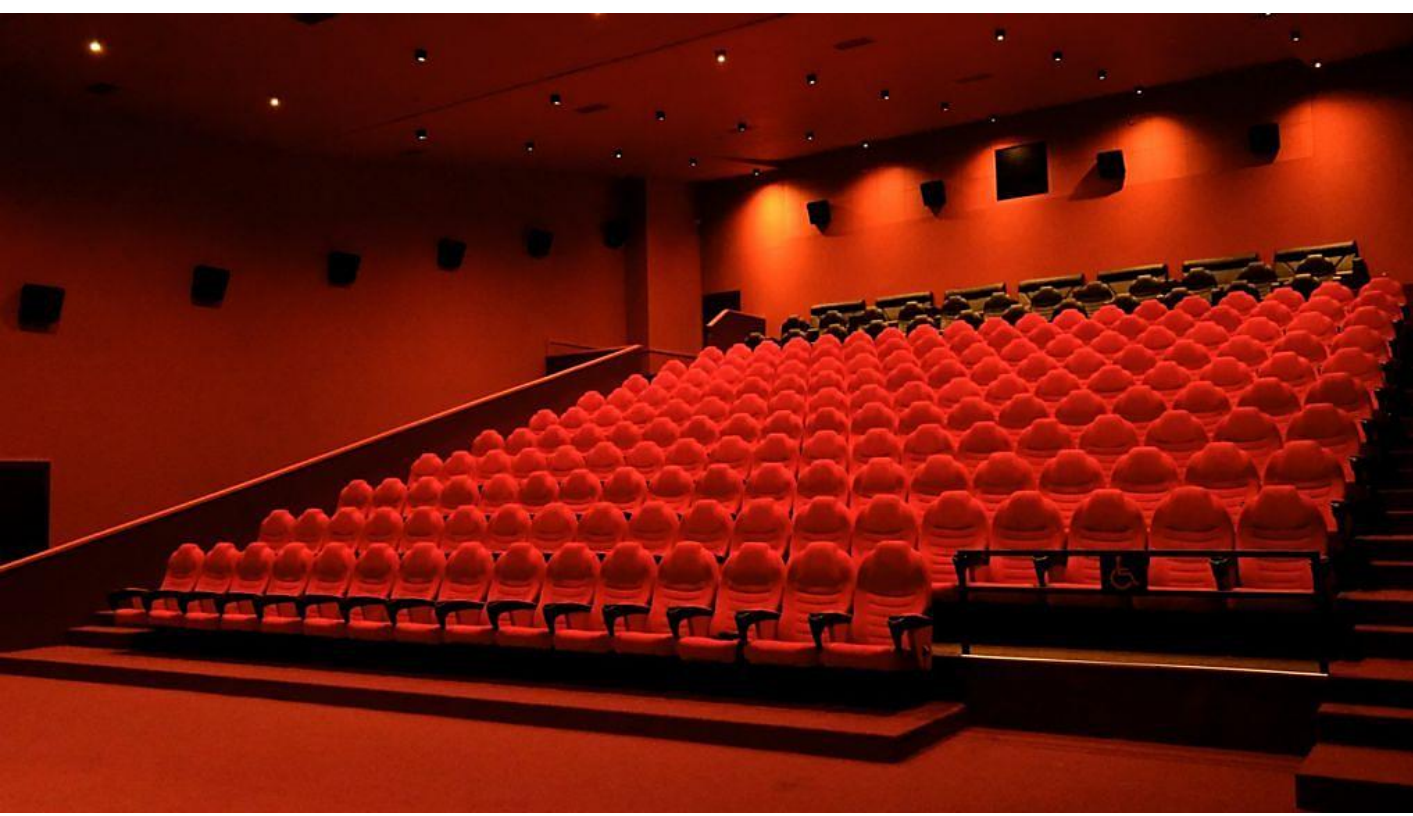
The backrest unit can be reclined manually up to 8 degrees and fixed by the adjustment bolt system located on the back of the metal main body.



Backrest Reclining Function by a pneumatic piston mechanism (optional)

The reclining movement is produced by the spectator leaning against the backrest unit. Thanks to the pneumatic piston mechanism located under the seat unit, the backrest unit returns automatically to the upright position when the chair is vacated.

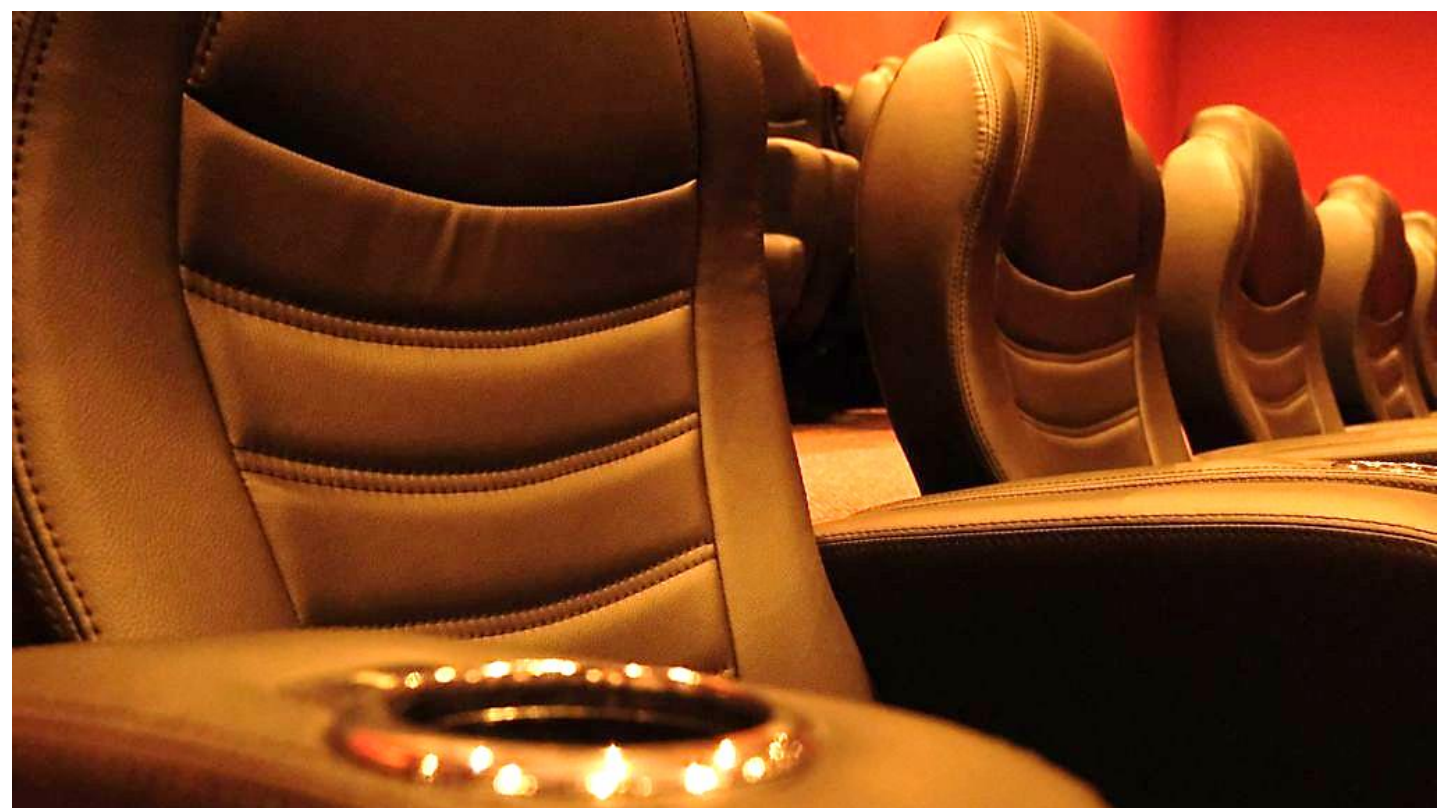




DORE series are manufactured in accordance with the needs of cinema and movie theater halls and in ergonomic designs targeting comfort that fits the audience perfectly.

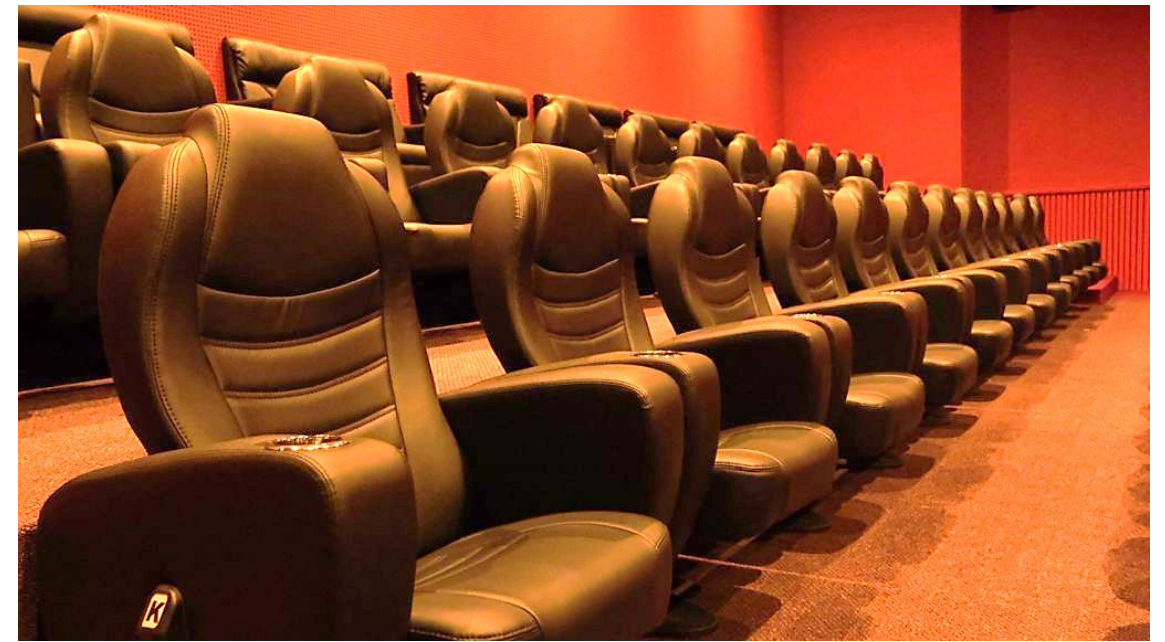
The series is in line with the needs of the investor and the audience; It is enriched with a central lateral leg, backrest reclining function, fabric or leather upholstery.

The combination of design and comfort makes the series the ideal choice to equip Cinema and Movie Theater Halls



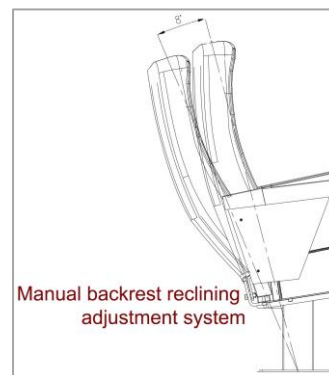
DORE-MEGASERIES

DORE-MEGA series is enriched with fully upholstered MDF wooden box armrests and equipped with cup holders.



Manual backrest reclining adjustment system (Standard)

The backrest unit can be reclined manually up to 8 degrees and fixed by the adjustment bolt system located on the back of the metal main body.

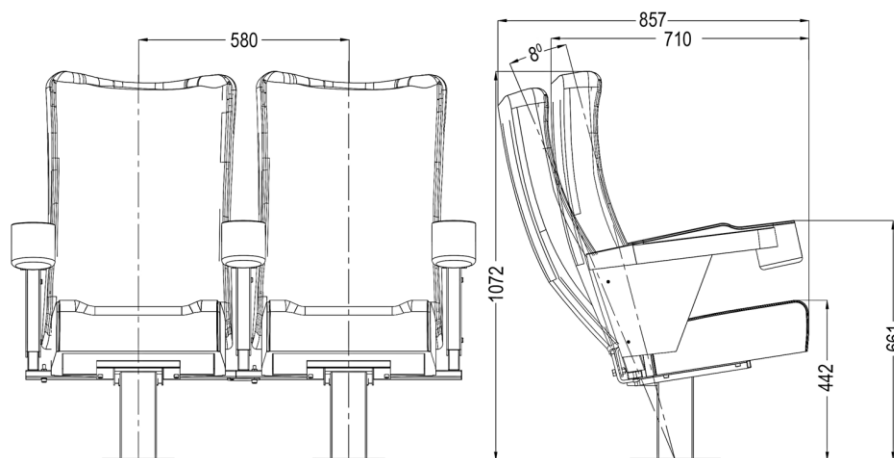


Backrest Reclining Function by a pneumatic piston mechanism (optional)
The reclining movement is produced by the spectator leaning against the backrest unit. Thanks to the pneumatic piston mechanism located under the seat unit, the backrest unit returns automatically to the upright position when the chair is vacated



DOLCE SERIES

DOLCE series cinema seats represent a bold and modern figure. Its dimensions guarantee comfort and livability. The series offers a luxurious look, maximum comfort, and function.



Armrest Option Features

The seat can be equipped with versions of armrest below;

DOLCE-PP1: Chair arms made of PP plastic are supported on a metal structure, compact in form and consist of a single piece with an integrated cup holder.



DOLCE-PP2: Chair arms made of PP plastic are supported on a metal structure, compact in form with an integrated cup holder, furnished with a fully upholstered armrest foam.

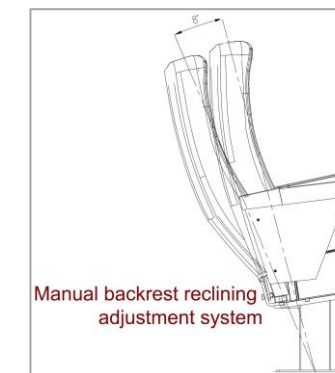


DOLCE-PP3: Chair arms are made of fully upholstered MDF wooden boxes are supported on metal structure and equipped with an PP plastic cup holder.



Manual backrest reclining adjustment system (Standard)

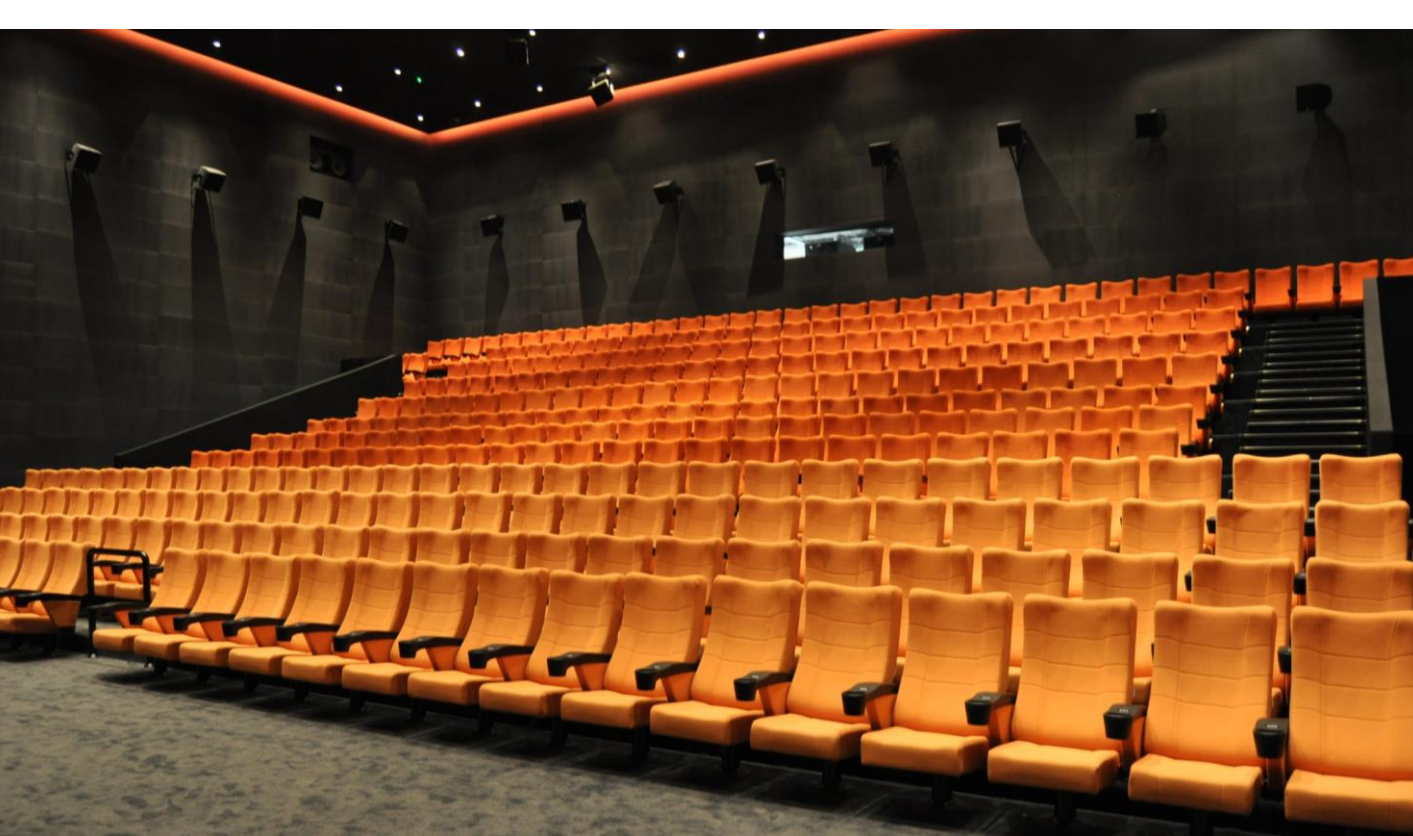
The backrest unit can be reclined manually up to 8 degrees and fixed by the adjustment bolt system located on the back of the metal main body.



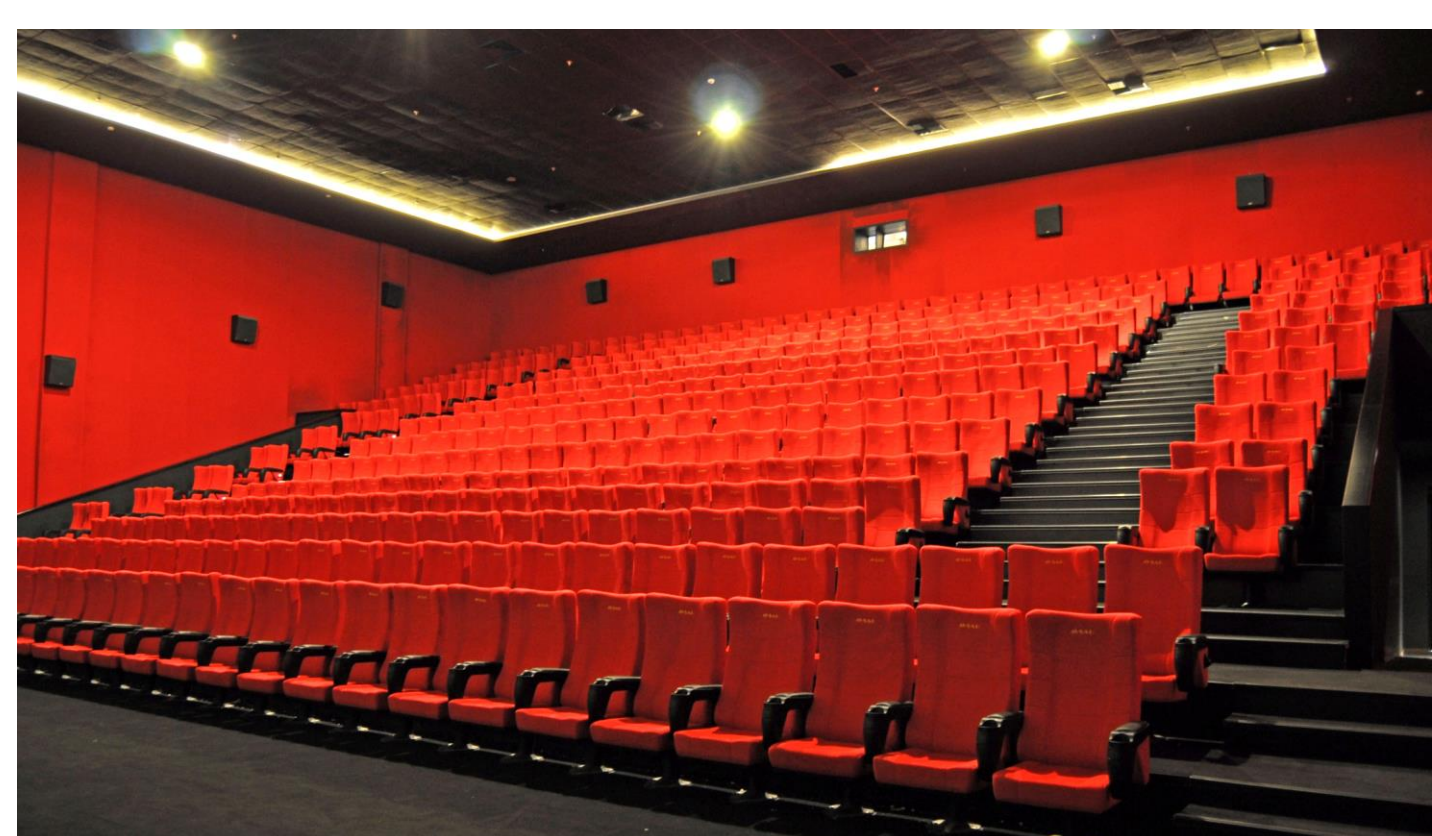
Backrest Reclining Function by a pneumatic piston mechanism (optional)

The reclining movement is produced by the spectator leaning against the backrest unit. Thanks to the pneumatic piston mechanism located under the seat unit, the backrest unit returns automatically to the upright position when the chair is vacated





CINETECH Movie Theater, 16 Halls, Mall of Istanbul, Istanbul-Turkey
Model of Seat: DOLCE-PP1; Number of Seat: 3.000 units; Year of development: 2014



AVSAR Movie Theater, Optimum Mall, Adana-Turkey
Model of Seat: DOLCE PP2; Number of Seat: 2.515 units; Year of development: 2011

DOLCE series cinema seats represent a bold and modern figure. Its dimensions guarantee comfort and livability. The series offers a luxurious look, maximum comfort, and function.

The series is in line with the needs of the investor and the spectator; It is enriched with central legs, a backrest reclining option, fabric or leather upholstery.

The combination of design and comfort makes the series the ideal choice to equip Cinema Halls and Movie Theaters.



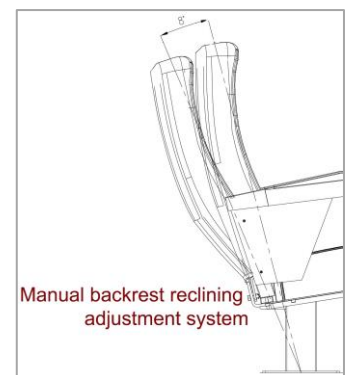
DOLCE-MEGAseries

DOLCE-MEGA series is enriched with fully upholstered MDF wooden box armrests and equipped with cup holders.

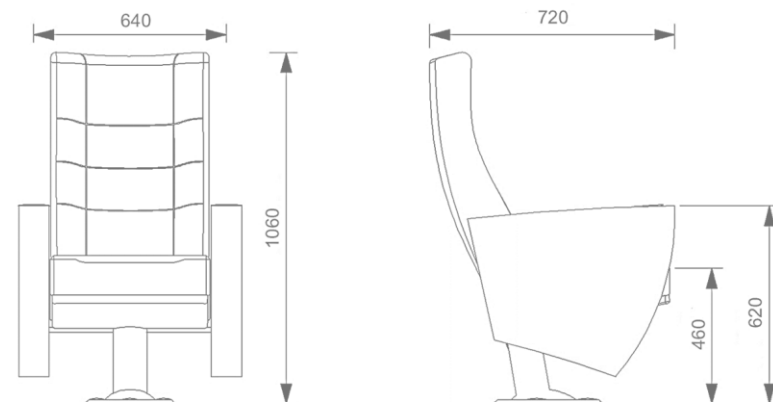


Manual backrest reclining adjustment system (Standard)

The backrest unit can be reclined manually up to 8 degrees and fixed by the adjustment bolt system located on the back of the metal main body.



Manual backrest reclining adjustment system



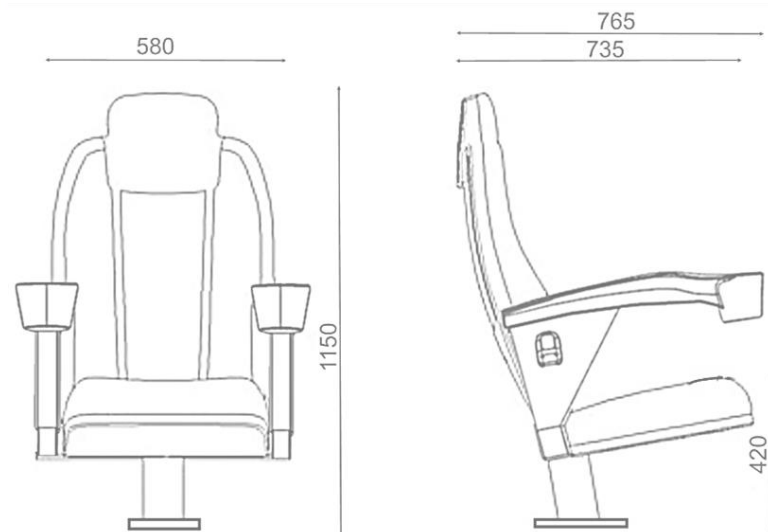
Backrest Reclining Function by a pneumatic piston mechanism (optional)

The reclining movement is produced by the spectator leaning against the backrest unit. Thanks to the pneumatic piston mechanism located under the seat unit, the backrest unit returns automatically to the upright position when the chair is vacated.



NOVA SERIES

NOVA cinema seats not only have an eye-catching elegant looking and also have an ergonomic design that perfectly fits the position of the spectators.



Armrest Option Features

The seat can be equipped with versions of armrest below;

NOVA-PP1: Chair arms made of PP plastic are supported on metal structure, compact in form and consist of a single piece with an integrated cup holder.

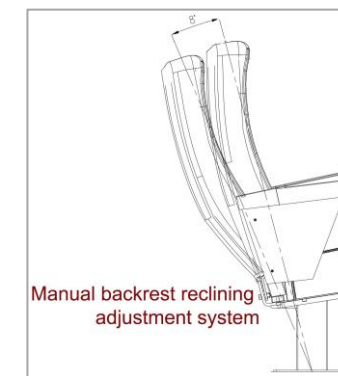


NOVA-PP2: Chair arms made of PP plastic are supported on metal structure, compact in form and consist of a single piece with an integrated cup holder and finished with a fully upholstered armrest foam.



Manual backrest reclining adjustment system (Standard)

The backrest unit can be reclined manually up to 8 degrees and fixed by the adjustment bolt system located on the back of the metal main body.



Backrest Reclining Function by a pneumatic piston mechanism (optional)

The reclining movement is produced by the spectator leaning against the backrest unit. Thanks to the pneumatic piston mechanism located under the seat unit, the backrest unit returns automatically to the upright position when the chair is vacated.





NOVA cinema seat not only has an eye-catching elegant looking but also has an ergonomic design that perfectly fits the position of the spectators.

The series is in line with the needs of the investor and the spectator; It is enriched with central legs, a backrest reclining option, PP plastic backrest cover, fabric or leather upholstery.

The combination of design and comfort makes the series the ideal choice to equip Cinema Halls and Movie Theaters.



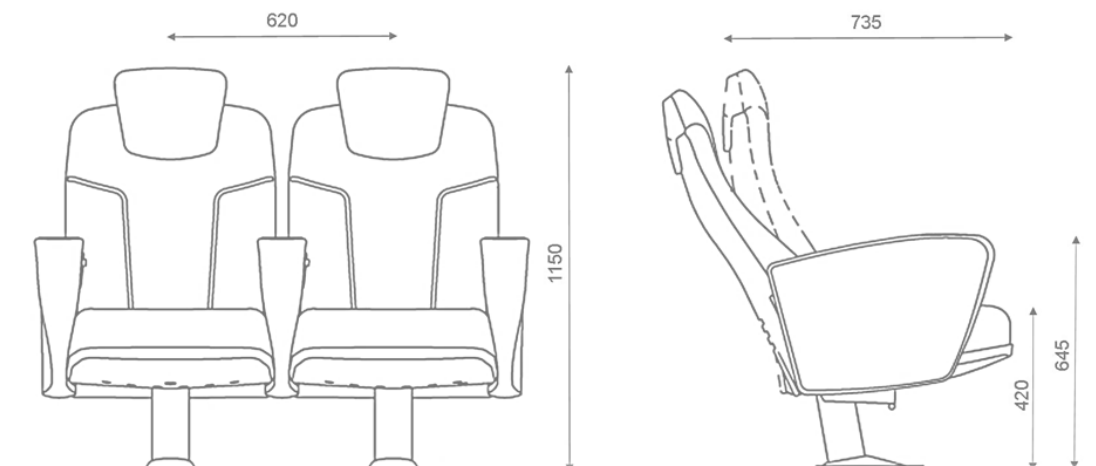
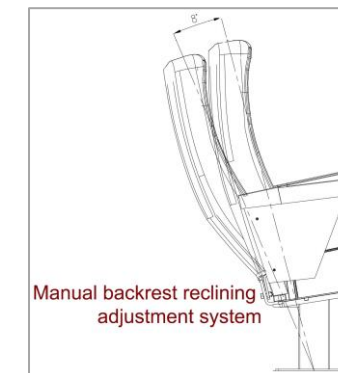
NOVA-MEGASERIES

NOVA-MEGA series is enriched with fully upholstered MDF wooden box armrests and equipped with cup holders.



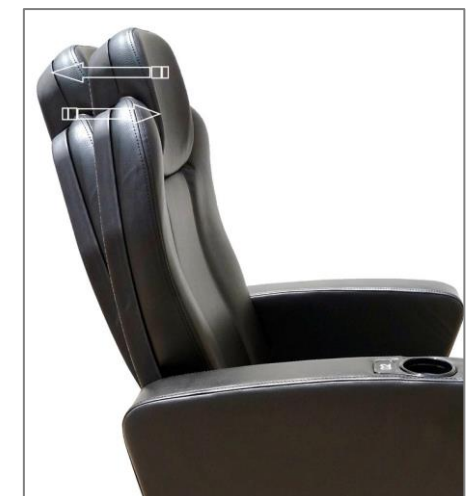
Manual backrest reclining adjustment system (Standard)

The backrest unit can be reclined manually up to 8 degrees and fixed by the adjustment bolt system located on the back of the metal main body.



Backrest Reclining Function by a pneumatic piston mechanism (optional)

The reclining movement is produced by the spectator leaning against the backrest unit. Thanks to the pneumatic piston mechanism located under the seat unit, the backrest unit returns automatically to the upright position when the chair is vacated.



MINTO SERIES

MINTO series cinema seating is designed to be comfortable and maintenance-free throughout its lifetime, this seat provides levels of comfort far beyond its size.



Armrest Option Features

The seat can be equipped with versions of armrest below;

MINTO-PP1: Chair arms made of PP plastic are supported on metal structure, compact in form and consist of a single piece with an integrated cup holder.

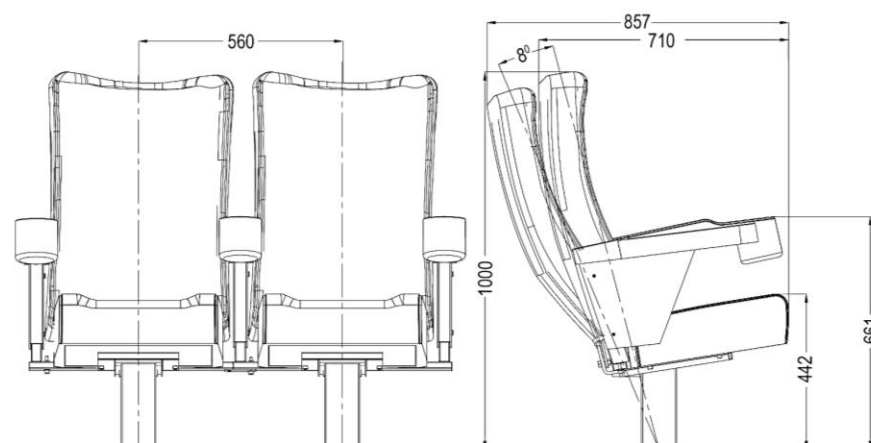
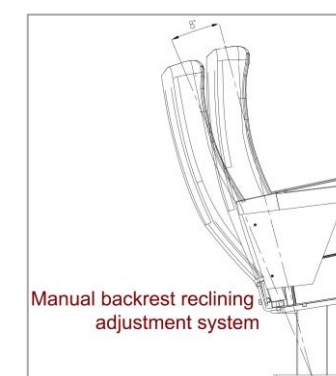


MINTO-PP2: Chair arms made of PP plastic are supported on metal structure, compact in form and consist of a single piece with an integrated cup holder and finished with a fully upholstered armrest foam.



Manual backrest reclining adjustment system (Standard)

The backrest unit can be reclined manually up to 8 degrees and fixed by the adjustment bolt system located on the back of the metal main body.



Backrest Reclining Function by a pneumatic piston mechanism (optional)

The reclining movement is produced by the spectator leaning against the backrest unit. Thanks to the pneumatic piston mechanism located under the seat unit, the backrest unit returns automatically to the upright position when the chair is vacated

