

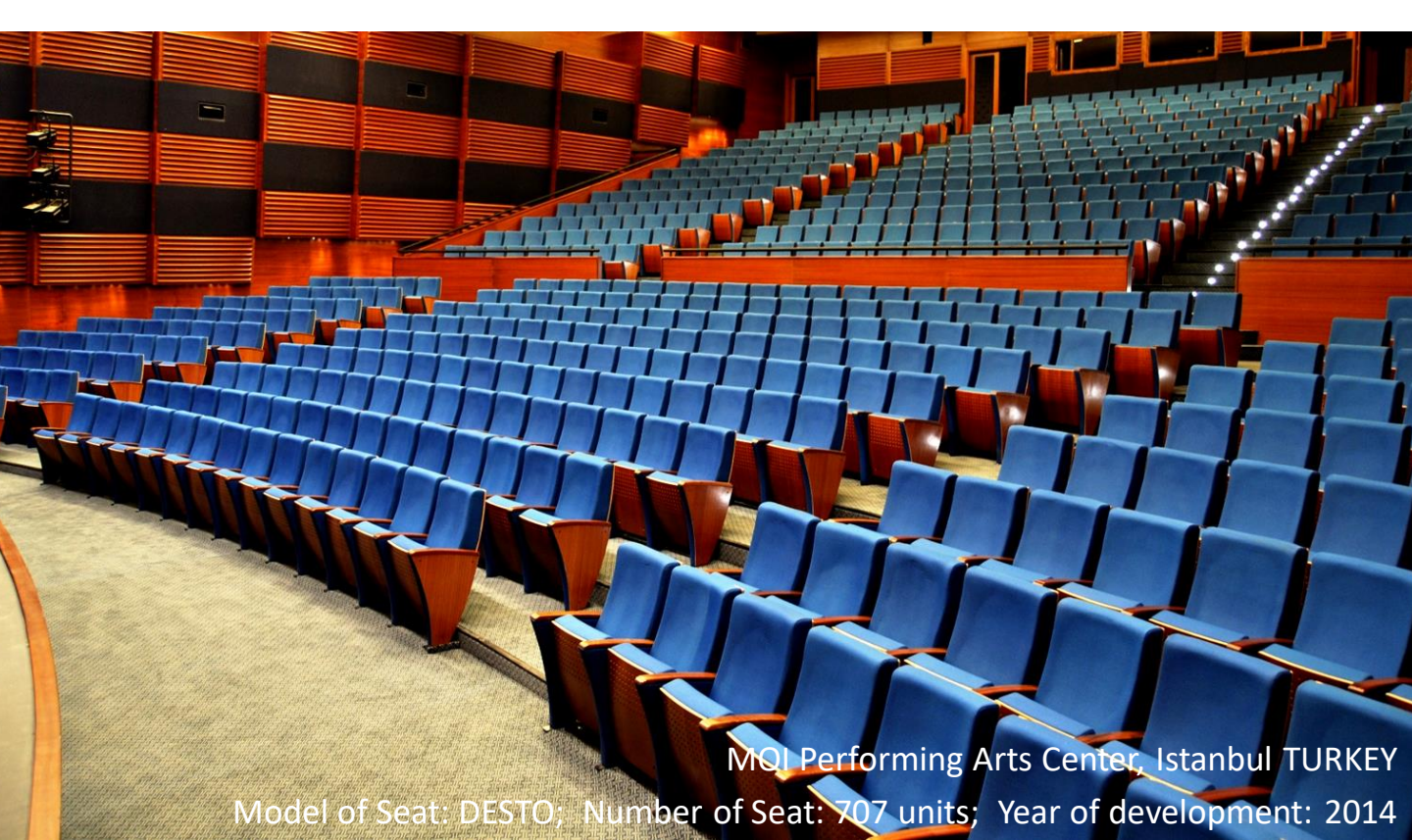


# DESTO SERIES

DESTO | FW-BSF

**SEGASiT** ©

The leading Turkish brand of quality Auditorium, Theatre and Cinema Seating

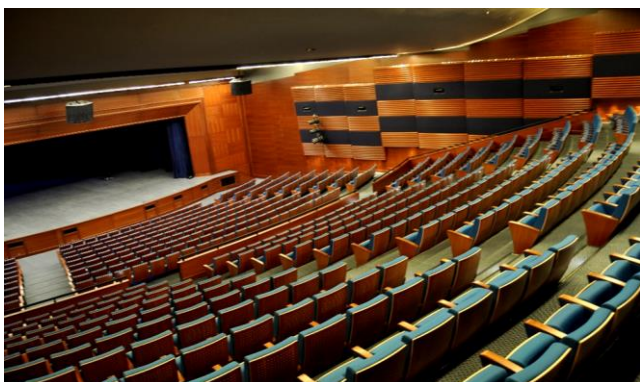


MOI Performing Arts Center, Istanbul TURKEY  
Model of Seat: DESTO; Number of Seat: 707 units; Year of development: 2014

*The Desto characterized by its comfort and flexibility of installation, associated with a design that adapts easily to a wide range of applications.*

*Its compact structure allows for ease of access and egress and the extensive backrest options ensure the maximum comfort and function.*

*Designed to be comfortable and maintenance free throughout its lifetime, this seat provides levels of comfort far beyond its size.*





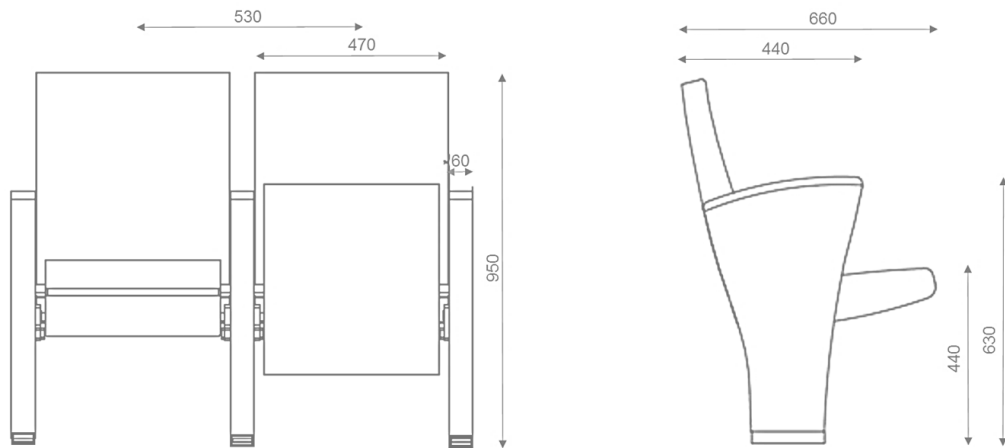
*DESTO series are manufactured in accordance with the needs of conference and theater halls and in ergonomic designs targeting comfort that fits the audience perfectly.*

*DESTO| FW –BSF series are in line with the needs of the investor and the audience; It is enriched with lateral legs, fabric or leather upholstery.*

*The combination of design and comfort makes the series the ideal choice to equip Auditorium and Theater Halls, Conference and Convention Centers, Performing Arts Centers, Corporate and Public Building Halls, Education and School Halls.*



## DIMENSIONS (mm)



## CHARACTERISTIC FEATURES

### DESTO | FW-BSF

- (FW) The lateral feet fully upholstered, finished with solid wooden armrest unit.
- (BSF) Both backrest and seat padding are fully upholstered with padded cover.

### Dimensions

- Centre-to-Centre dimension is 53 cm.
- The nominal space for user is 47 cm.

### Seat and Backrest units

- All paddings are produced with cold moulded CMHR polyurethane foam technology,
- Both backrest and seat padding has a carefully crafted ergonomic design, density 50-60 kg/m<sup>3</sup>.
- The seat padding is single block of moulded polyurethane foam that incorporates internal metal frame structure, plus supported with an internal flat springs structure to provide sitting comfort long time.
- The backrest padding is single block of moulded polyurethane foam that incorporates internal metal frame structure which, due to their shape and composition, offers great back and lumbar support.
- Upholstered with padded cover, removable by means of a zipper.
- Tip-up seat folds automatically with inside weight balance system. Totally silent and maintenance free.

### Optional

- **Controlled Slow Rising System** by means silent, controlled slow movement with no bumps.
- The seat folds up automatically with controlled slow movement by a pneumatic piston mechanism located at the side panel. Totally silent and maintenance free.

### Armrests

- Fixed and shared armrest box in ergonomic design.
- Fully upholstered with padded cover, finished with solid wooden armrest unit.

### Structure

- The lateral feet are single block unit made of unified double 30 mm thick MDF boards designed and produced to provide durability and long life.
- The lateral feet are joined to a steel base and fixed to the floor using metric screws or other suitable type of anchorage for each type of surface .
- The metal parts are painted electrostatic powder paint. Coat thickness 80 micron  $\pm$  10.
- The fully upholstered backrest padding is fixed to a metal structure, which is joined to the lateral legs with a concealed insertion system provided strong durability.
- The system is very resistant and ensures the perfect alignment of the backrests when forming a row.

### Options

- Seat, row numbering and logo embroidery.
- Variety of foam density.
- Variety of fabric with abrasion, fading and non-flammability characteristics.
- Variety of high quality faux and genuine leather.

### CERTIFIED PRODUCTION

In our production plant we have implemented the quality management system ISO 9001:2015, the environmental management systems ISO 14001:2015, the safety management system OHSAS 18001:2007 are standard.