

Dimensions

- Center-to-center dimension is 58 cm.
- The nominal space for the user is 52 cm.

Seat and Backrest Units

- All paddings are produced with cold-molded CMHR polyurethane foam technology. Foam density is 50-60 kg/m³.
- Both backrest and seat padding are a single block of molded polyurethane foam that incorporates an internal metal frame structure.
- Upholstered with a padded cover, removable through a zipper.

Armrest

- Fixed and shared armrest with a curved design.
- PP1:** Chair arms are constructed from durable polypropylene (PP), supported by a sturdy metal structure, ensuring both form and function. Their compact, single-piece design incorporates an integrated, generously sized cup holder.

Structure

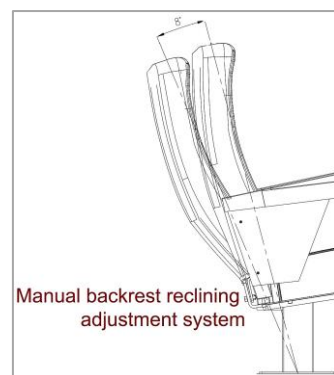
- The metal main body made of steel construction is designed and produced to provide durability and long life.
- The backrest and seat units are mounted on a steel metal bridge construction supported with a central leg made of a steel profile.
- The central leg is joined to a metal base and fixed to the floor surface with metal bolts.
- Manual backrest reclining adjustment system:** The backrest can be adjusted up to 8 degrees, with a handy adjustment bolt system located on the back of the metal main body. This feature allows you to adjust the backrest to the desired reclining position for the perfect level of comfort.

Leather Upholstery Specification

- The series seats are crafted with premium-quality leather and meticulously hand-tailored to ensure an unparalleled level of luxury and sophistication.
- The back surface of the leather is laminated with a sponge.

Options

- Seat, row numbering, and logo embroidery.
- Decorative fully upholstered lateral panels made of MDF board.
- Variety of fabrics with abrasion, fading, and non-flammability characteristics.
- Variety of high-quality faux and genuine leather.
- Backrest Rocker Mechanism by a pneumatic piston:** The swing movement is produced by the spectator leaning against the backrest unit. Thanks to the backrest rocker mechanism is powered by a pneumatic piston that allows the backrest to return automatically to the upright position when the chair is vacated.



SEGASIT

The leading Turkish brand of quality Auditorium, Theatre, and Cinema Seating

www.segasit.com