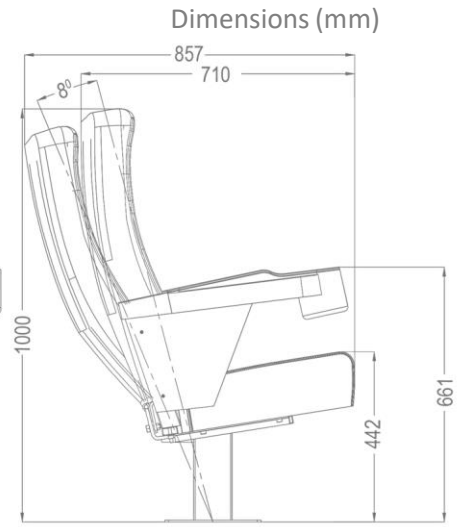
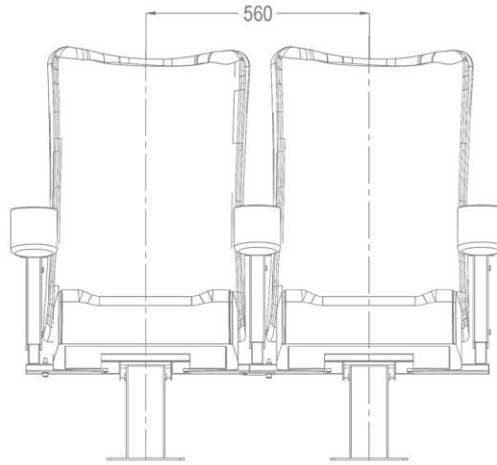


MINTO | PP1



Dimensions

- Center-to-center dimension is 56 cm.
- The nominal space for the user is 50 cm.

Seat and Backrest Units

- All paddings are produced with cold-molded CMHR polyurethane foam technology. Foam density is 50-60 kg/m³.
- Both backrest and seat padding are a single block of molded polyurethane foam that incorporates an internal metal frame structure.
- Upholstered with a padded cover, removable through a zipper.

Armrest

- Fixed and shared armrest with a curved design.
- PP1:** Chair arms are constructed from durable polypropylene (PP), supported by a sturdy metal structure, ensuring both form and function. Their compact, single-piece design incorporates an integrated, generously sized cup holder.

Structure

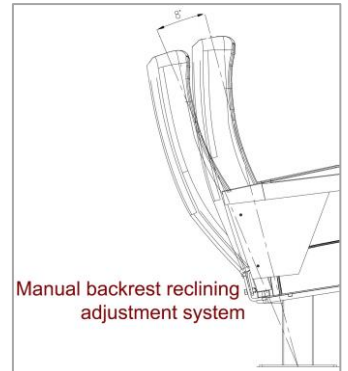
- The metal main body made of steel construction is designed and produced to provide durability and long life.
- The backrest and seat units are mounted on a steel metal bridge construction supported with a central leg made of a steel profile.
- The central leg is joined to a metal base and fixed to the floor surface with metal bolts.
- Manual backrest reclining adjustment system:** The backrest can be adjusted up to 8 degrees, with a handy adjustment bolt system located on the back of the metal main body. This feature allows you to adjust the backrest to the desired reclining position for the perfect level of comfort.

Fabric Upholstery Specification

- Abrasion rate Martindale: 60.000 cycles, Weight: 460 gr/m², 100% polyester.
- Non-flammability standard: ECE-R118, FMVSS 302, EN 1021-1/2 standards
- The back surface of the fabric is laminated with a 4 mm thick sponge that is laminated with flame lamination (glueless) technique.

Options

- Seat, row numbering, and logo embroidery.
- Variety of fabrics with abrasion, fading, and non-flammability characteristics.
- Variety of high-quality faux and genuine leather.
- Backrest Rocker Mechanism by a pneumatic piston:** The swing movement is produced by the spectator leaning against the backrest unit. Thanks to the backrest rocker mechanism is powered by a pneumatic piston that allows the backrest to return automatically to the upright position when the chair is vacated.



SEGASIT

The leading Turkish brand of quality Auditorium, Theatre, and Cinema Seating

www.segasit.com