

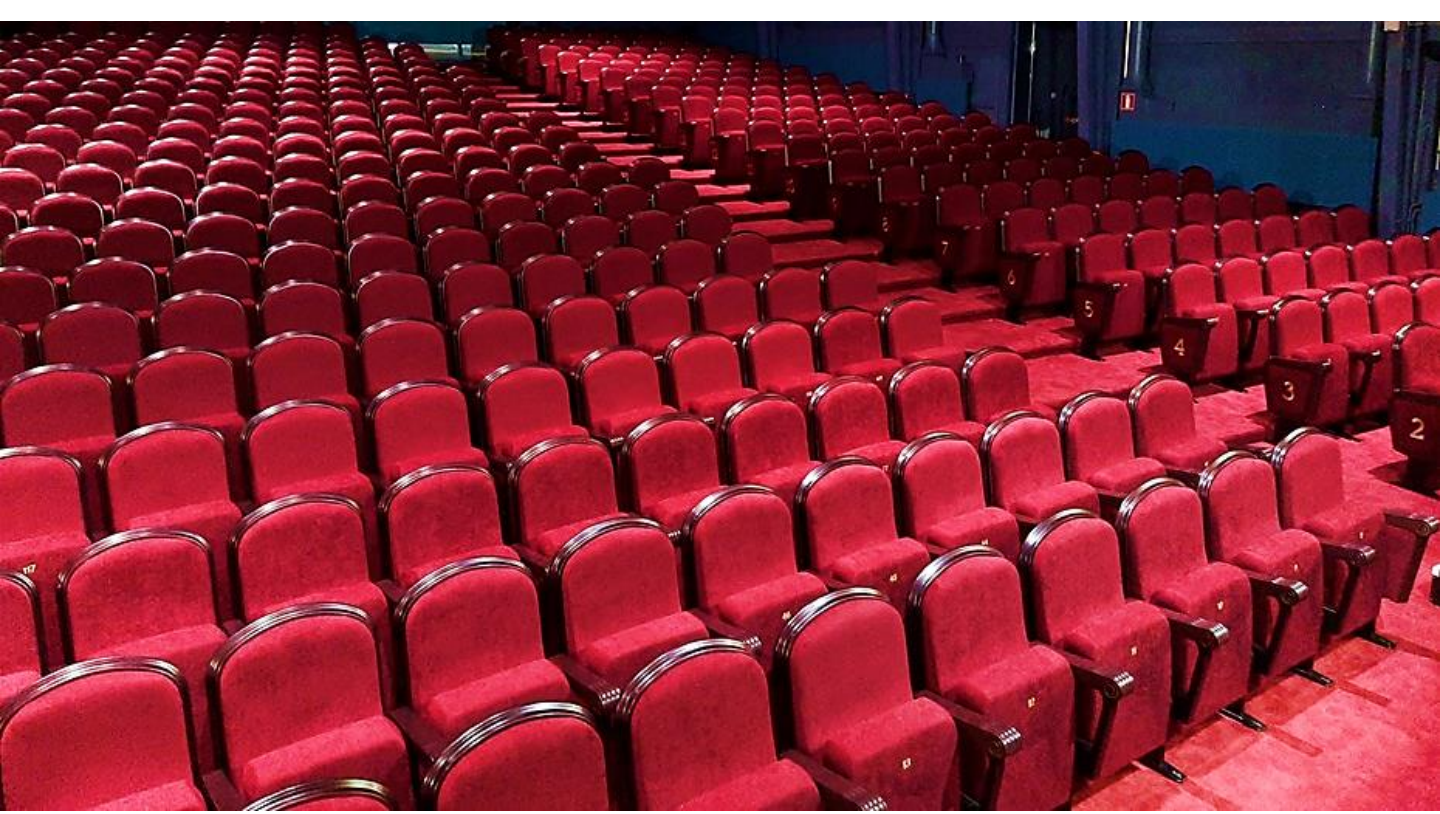
PERA SERIES

PERA | MW-BW



SEGASit ©

The leading Turkish brand of quality Auditorium, Theatre and Cinema Seating



PERA series theater seats not only have an eye-catching classic elegance looking, but also have an ergonomic design that perfectly fits the position of the spectators.

Its compact structure allows for ease of access and egress and the extensive backrest options ensure the maximum comfort and function.

Designed to be comfortable and maintenance free throughout its lifetime, this seat provides levels of comfort far beyond its size.





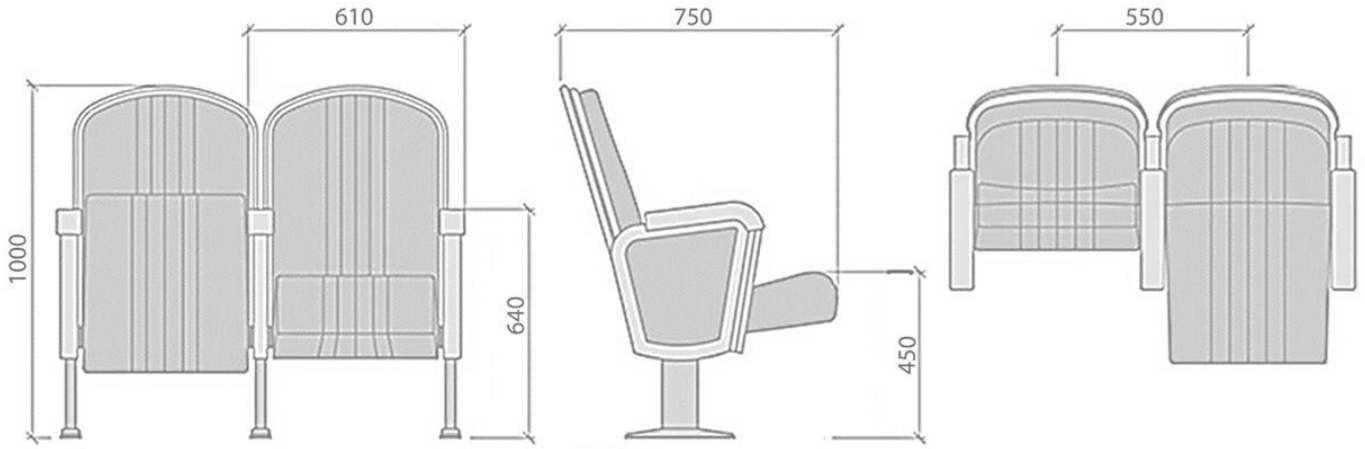
PERA series are manufactured in accordance with the needs of opera and theater halls and in ergonomic designs targeting comfort that fits the audience perfectly.

PERA | MW-BW series are in line with the needs of the investor and the audience; It is enriched with metal lateral legs, fabric or leather upholstery, backrest unit wooden cover.

The combination of design and comfort makes the series the ideal choice to equip Auditorium and Theater Halls, Conference and Convention Centers, Performing Arts Centers, Corporate and Public Building Halls, Education and School Halls.



DIMENSIONS (mm)



CHARACTERISTIC FEATURES

PERA | MW-BW

- (MW) The armrests are steel profile, finished with solid wooden armrest units
- (BW) The backrest padding is supported by a varnished beech plywood backboard.

Dimensions

- Centre-to-Centre dimension is 55 cm.
- The nominal space for user is 49 cm.

Seat and Backrest units

- All paddings are produced with cold moulded CMHR polyurethane foam technology,
- Both backrest and seat padding has a carefully crafted ergonomic design, density 50-60 kg/m³.
- Upholstered with padded cover, removable by means of a zipper.
- The seat padding is single block of molded polyurethane foam that incorporates internal metal frame structure, plus supported with an internal flat springs structure to provide sitting comfort long time.
- The backrest is made of varnished wooden frame, incorporating a fully upholstered, open-cell polyurethane foam cushions which, due to their shape and composition, offers great back and lumbar support.
- The backrest wooden frame is incorporated with a varnished beech plywood backboard.
- Tip-up seat folds automatically with inside weight balance system. Totally silent and maintenance free.

Armrests

- Fixed and shared armrest in ergonomic design, finished with 40mm thick varnished solid wooden armrest unit.
- Made of varnished solid wooden frame.
- Decorative lateral panels made of MDF board and upholstered with padded covers.

Structure

- The lateral feet are made of 60*40*1,5 mm steel metal profile structure designed and produced to provide durability and long life.
- Each lateral leg is joined to a 2 mm thick molded steel metal base and fixed to the floor using metric screws or other suitable type of anchorage for each type of surface
- The backrest wooden frame is fixed to a metal structure, which is joined to the lateral legs with a concealed insertion system provided strong durability.
- The system is very resistant and ensures the perfect alignment of the backrests when forming a row.
- The fully upholstered backrest padding with supported with 8 mm thick inner plywood is mounted on the backrest wooden frame with a concealed insertion system.
- The metal parts are painted electrostatic powder paint. Coat thickness 80 micron ± 10.

Options

- Backrest wooden cover-Beech plywood.
- Seat, row numbering and logo embroidery.
- Variety of foam density.
- Variety of fabrics with abrasion, fading and non-flammability characteristics.
- Variety of high quality faux and genuine leather.

CERTIFIED PRODUCTION

In our production plant we have implemented the quality management system ISO 9001:2015, the environmental management systems ISO 14001:2015, the safety management system OHSAS 18001:2007 are standard.

This brochure supersedes and replaces all previous issues.

All designs, images and illustrations contained within this brochure remain the copyright of SEGASit.

All trademarks, product names and codes detailed within this brochure are the property of SEGASit.

SEGASit ©

www.segasit.com