

RETRO | F

SERIES



SEGASIT ©

The leading Turkish brand of quality Auditorium, Theatre, and Cinema Seating

www.segasit.com



“ISKI Head Office” Auditorium Hall, Istanbul- Turkey
Model of Seat: RETRO; Number of Seat: 394; Year of development: 2016

The RETRO is the theater and auditorium seat of choice where comfort and durability are the primary concerns. Highly customizable, it is suitable for straight and radial layouts.

Its compact structure allows for ease of access and egress and the extensive backrest options ensure maximum comfort and function.

Designed to be comfortable and maintenance-free throughout its lifetime, this seat provides levels of comfort far beyond its size.





RETRO series are manufactured under the needs of conference and theater halls and in ergonomic designs targeting comfort that fits the audience perfectly.

The series is in line with the needs of the investor and the audience;

It is enriched with

- *lateral legs,*
- *fabric or leather upholstery,*
- *backrest and seat unit wooden covers.*

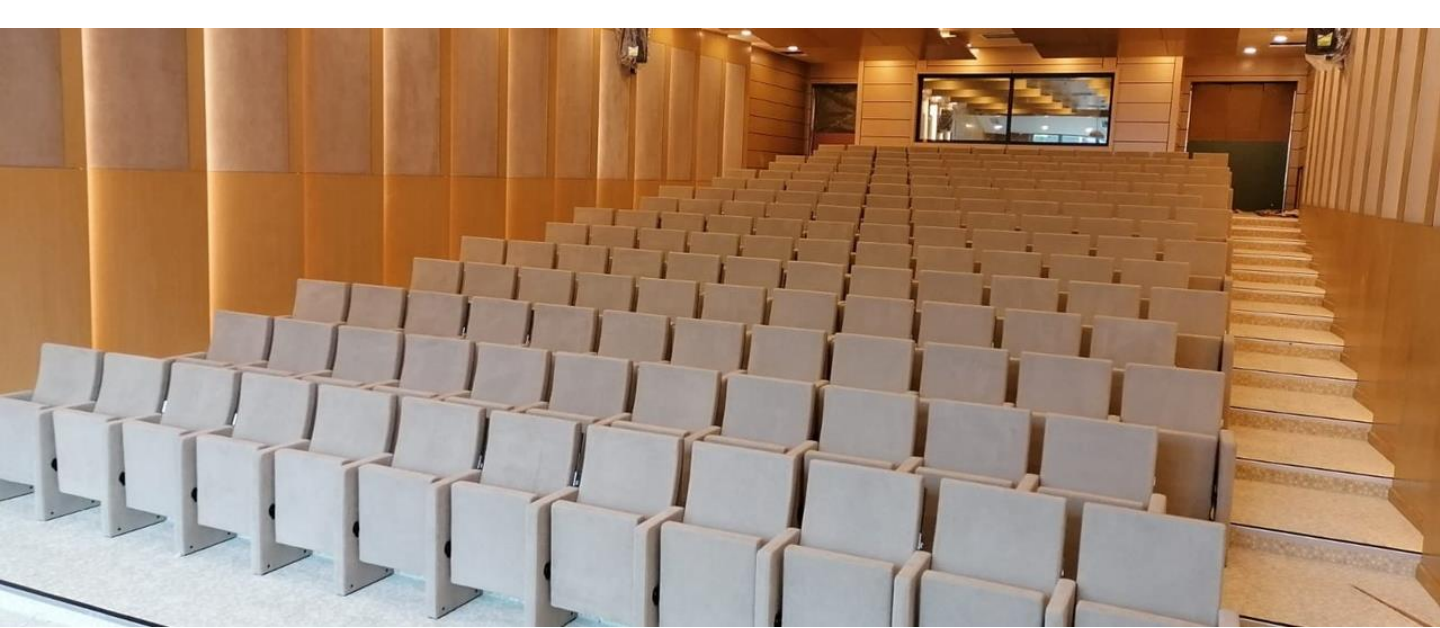




“College of Şahinkaya” Auditorium Hall, Bursa TURKEY
Model of Seat: RETRO; Number of Seats: 600 units; Year of development: 2018



ACIBADEM Colleges Auditorium Hall, Istanbul- Turkey
Model of Seat: RETRO; Number of Seats: 370; Year of development: 2017



OPTION FEATURES

RETRO | F-BSF

- (F) The lateral feet are fully upholstered with a padded cover.
- (BSF) Both backrest and seat padding are fully upholstered with padded cover.



RETRO | FW-BSF

- (FW) The lateral feet are fully upholstered and finished with a solid wooden armrest unit.
- (BSF) Both backrest and seat padding are fully upholstered with padded cover.



RETRO | FW-BW

- (FW) The lateral feet are fully upholstered and finished with a solid wooden armrest unit.
- (BW) The backrest padding is supported by a varnished beech plywood backboard.

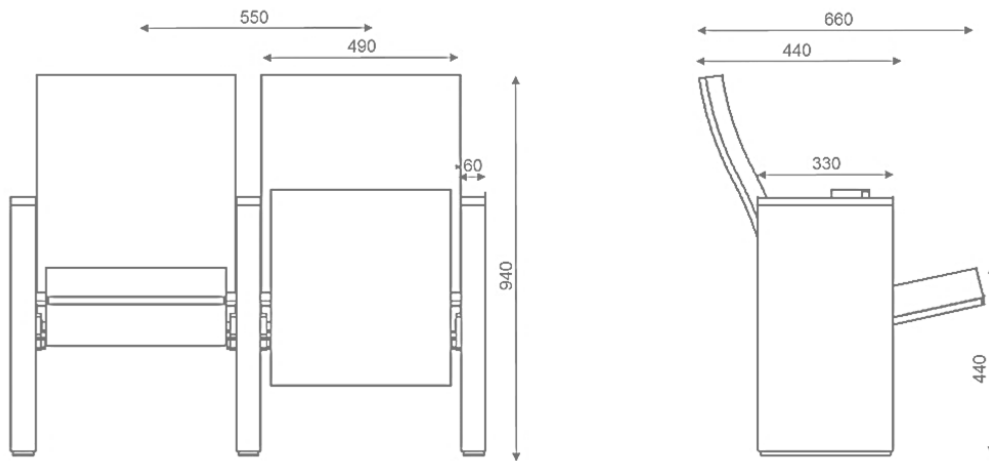


RETRO | FW-BSW

- (FW) The lateral feet are fully upholstered and finished with a solid wooden armrest unit.
- (BSW) Both backrest and seat padding are supported by a varnished beech plywood backboard.



DIMENSIONS (mm)



CHARACTERISTIC FEATURES

Dimensions

- Centre-to-Centre dimension is 55 cm.
- The nominal space for the user is 49 cm.

Seat and Backrest units

- All paddings are produced with cold-molded CMHR polyurethane foam technology,
- Both backrest and seat padding have a carefully crafted ergonomic design, density of 50-60 kg/m³.
- The seat padding is a single block of molded polyurethane foam that incorporates an internal metal frame structure, plus supported with an internal flat springs structure to provide sitting comfort long time.
- The backrest is made of beech plywood, incorporating fully upholstered, open-cell polyurethane foam cushions which, due to their shape and composition, offer great back and lumbar support.
- Upholstered with a padded cover, removable using a zipper.
- Tip-up seat folds automatically with an inside weight balance system. Silent and maintenance-free.

Optional

- **Controlled Slow Rising System** by means of silent, controlled slow movement with no bumps.
- The seat folds up automatically with controlled slow movement by a pneumatic piston mechanism located at the side panel. Silent and maintenance-free.

Armrests

- Fixed and shared armrest box in ergonomic design.
- Fully upholstered with a padded cover.
- Optional, wooden armrest made of 20mm thick varnished solid wood.

Structure

- The lateral feet are single block units made of unified double 30 mm thick MDF boards designed and produced to provide durability and long life.
- The lateral legs are fully upholstered with padded covers.
- The lateral legs are joined to a steel base and fixed to the floor using metric screws or other suitable types of anchorage for each type of surface.
- The beech plywood backboard, incorporated with fully upholstered foam cushions, is fixed to the lateral legs with a concealed metal slide insertion system that provides strong durability.
- The system is very resistant and ensures the perfect alignment of the backrests when forming a row.
- The metal parts are painted with electrostatic powder paint. Coat thickness 80 microns \pm 10.

Options

- Side-mounted anti-panic foldaway writing tablet.
- Backrest cover: Beech plywood.
- Seat back cover: Beech plywood perforated.
- Seat, row numbering, and logo embroidery.
- Variety of foam density.
- Variety of fabric with abrasion, fading, and non-flammability characteristics.
- Variety of high-quality faux and genuine leather.

CERTIFIED PRODUCTION

In our production plant, we have implemented the quality management system ISO 9001:2015, the environmental management systems ISO 14001:2015, and the safety management system OHSAS 18001:2007 are standard.

This brochure supersedes and replaces all previous issues.

All designs, images, and illustrations contained within this brochure remain the copyright of SEGASit.

All trademarks, product names, and codes detailed within this brochure are the property of SEGASit.

SEGASit ©

www.segasit.com