

SKY SERIES

SKY | M-BSF



SEGASiT ©

The leading Turkish brand of quality Auditorium, Theatre and Cinema Seating



SKY-HR



SKY-RS

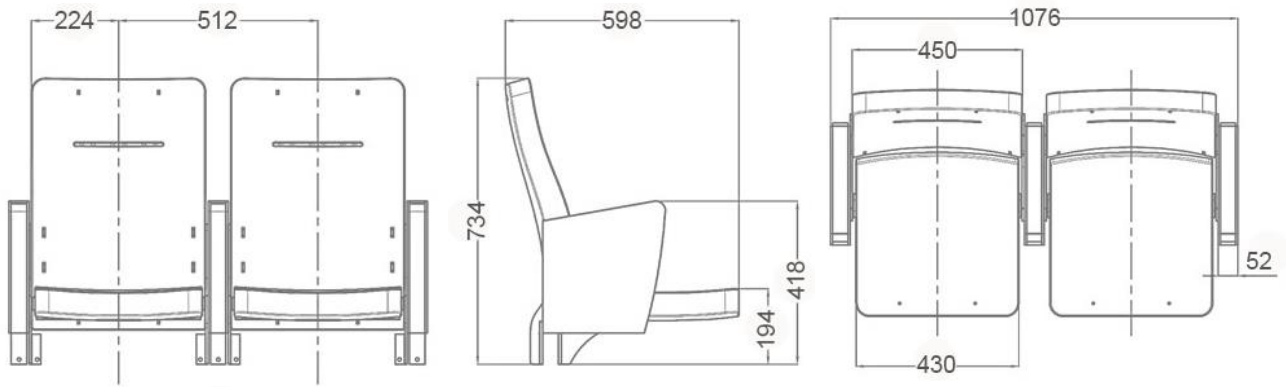
SKY lecture theater seat is renowned for its comfort, function, and versatility. It is ergonomically shaped with a contoured back and focuses particular attention on lumbar support and encouraging correct posture.

It is available as a floor, beam or riser mounted seat and is virtually maintenance-free. Lecture theatres achieve excellent utilization of space with this seat which is suitable for both radial and straight layouts.

The combination of design and comfort makes the series the ideal choice to equip Auditorium and Theater Halls, Conference and Convention Centers, Performing Arts Centers, Corporate and Public Building Halls, Education and School Halls.



DIMENSIONS (mm)



CHARACTERISTIC FEATURES

SKY | M-BSF

- (F) The lateral armrests are fully upholstered with padded cover.
- (BSF) Both backrest and seat padding are fully upholstered with padded cover.

Dimensions

- Centre-to-Centre dimension is 53 cm.
- The nominal space for user is 48 cm.

Seat and Backrest units

- All paddings are produced with cold moulded CMHR polyurethane foam technology,
- Both backrest and seat padding has a carefully crafted ergonomic design, density 50-60 kg/m³.
- The seat padding is a single block of molded polyurethane foam that incorporates an internal metal frame structure.
- The backrest padding is a single block of molded polyurethane foam that incorporates an internal metal frame structure which, due to its shape and composition, offers great back and lumbar support.
- The backrest padding is raised with an optional the headrest padding.
- Upholstered with padded cover, removable by means of a zipper.
- Optional-The fully upholstered backrest and seat padding are optional incorporated with a 12 mm thick varnished beech plywood backboard.
- Tip-up seat folds automatically with inside weight balance system. Totally silent and maintenance free.

Armrests

- Fixed and shared armrest.
- Decorative lateral panels made of MDF board and upholstered with padded cover.
- They are compact in form and modular as a single piece with an internal metal frame, mounted on a riser steel bridge with a bolt insertion system.

Structure

- The metal mainframes are designed and produced to provide durability and long life.
- The mainframe as a single piece is made of a 60*40*1,5 mm thick steel profile that can be raised with the central legs made of 60*40*1,5 mm thick steel profile or mounted on a beam.
- The central leg is joined to a 6 mm thick steel base and fixed to the floor using metric screws or other suitable types of anchorage for each type of surface.
- The fully upholstered backrest padding, which is joined to a metal structure, is fixed to the lateral frames with a concealed insertion system that provided strong durability.
- The system is very resistant and ensures the perfect alignment of the backrests when forming a row.
- The metal parts are painted electrostatic powder paint. Coat thickness 80 microns ± 10.

Options

- Seat, row numbering and logo embroidery.
- Variety of foam density.
- Variety of fabrics with abrasion, fading and non-flammability characteristics.
- Variety of high-quality faux and genuine leather.

CERTIFIED PRODUCTION

In our production plant we have implemented the quality management system ISO 9001:2015, the environmental management systems ISO 14001:2015, the safety management system OHSAS 18001:2007 are standard.